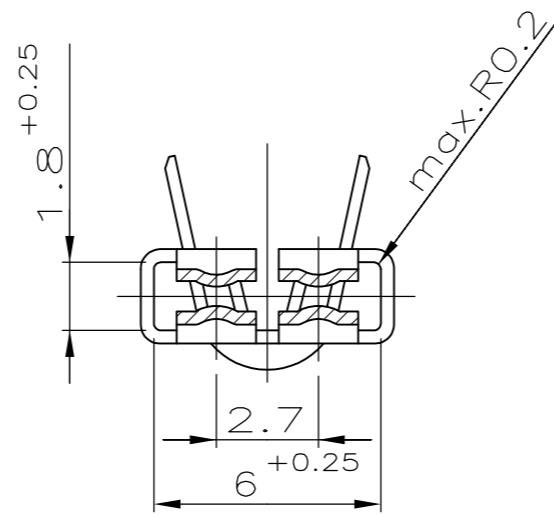
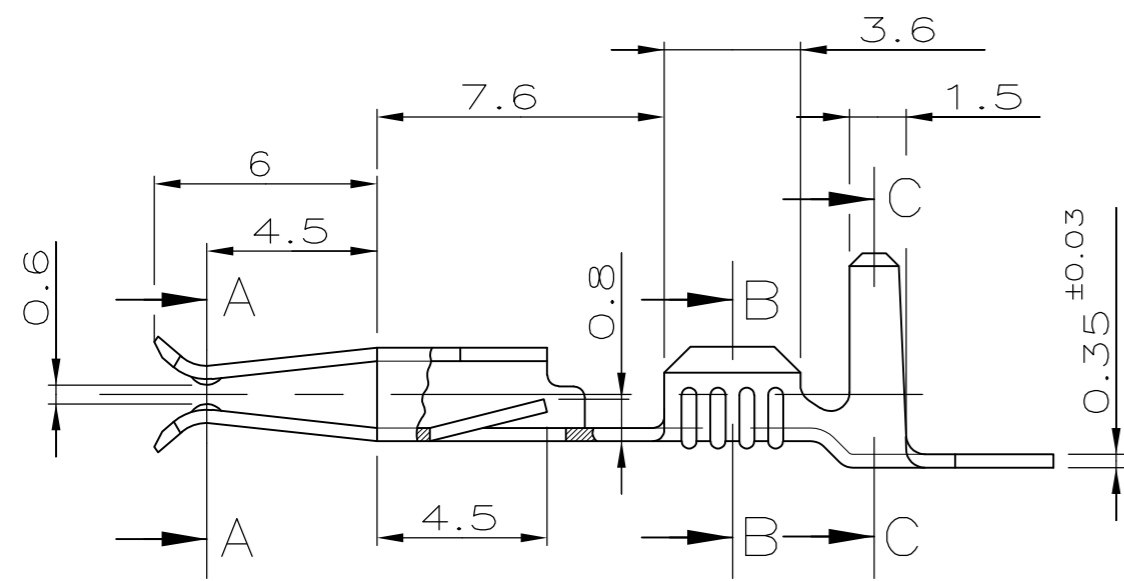
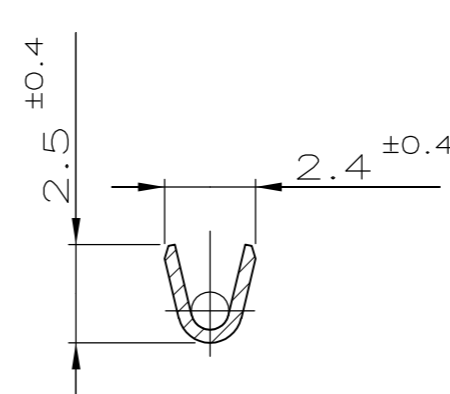


THIS DRAWING IS UNPUBLISHED. RELEASED FOR PUBLICATION
 © COPYRIGHT BY TYCO ELECTRONICS CORPORATION. ALL INTERNATIONAL RIGHTS RESERVED.

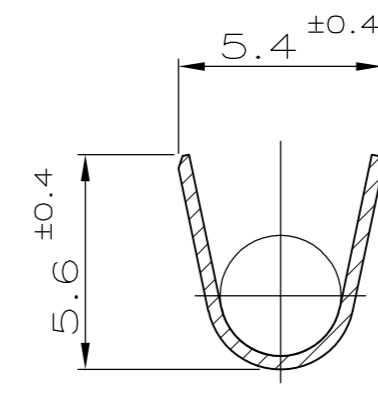
| LOC | | DIST | | REVISIONS | | | |
|-----|-----|---------------------------|--|-----------|-----|------|--|
| P | LTR | DESCRIPTION | | DATE | DWN | APVD | |
| | A | REVISED PER ECR-10-003468 | | 22FEB10 | SSK | DMK | |



Schnitt A-A



Schnitt B-B



Schnitt C-C

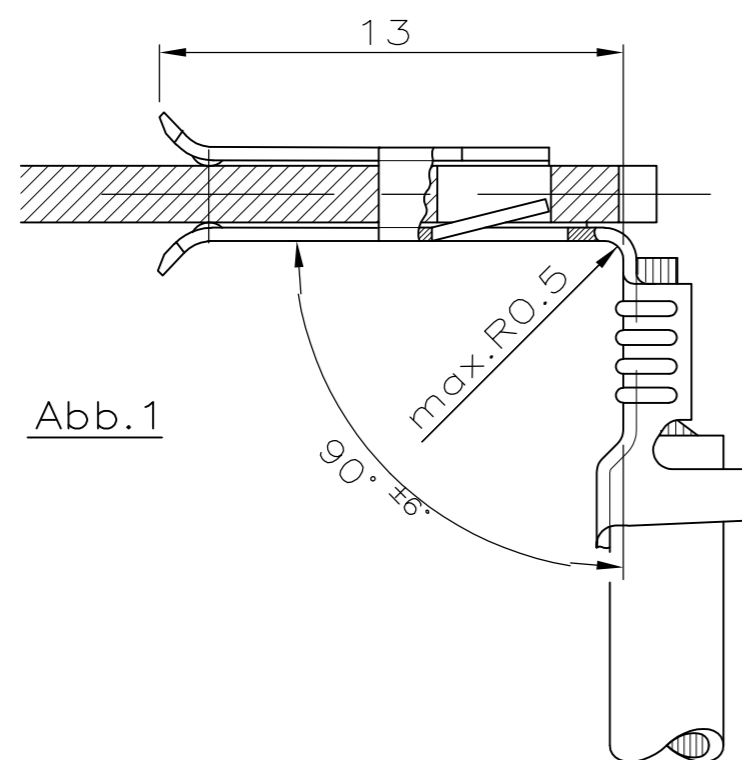
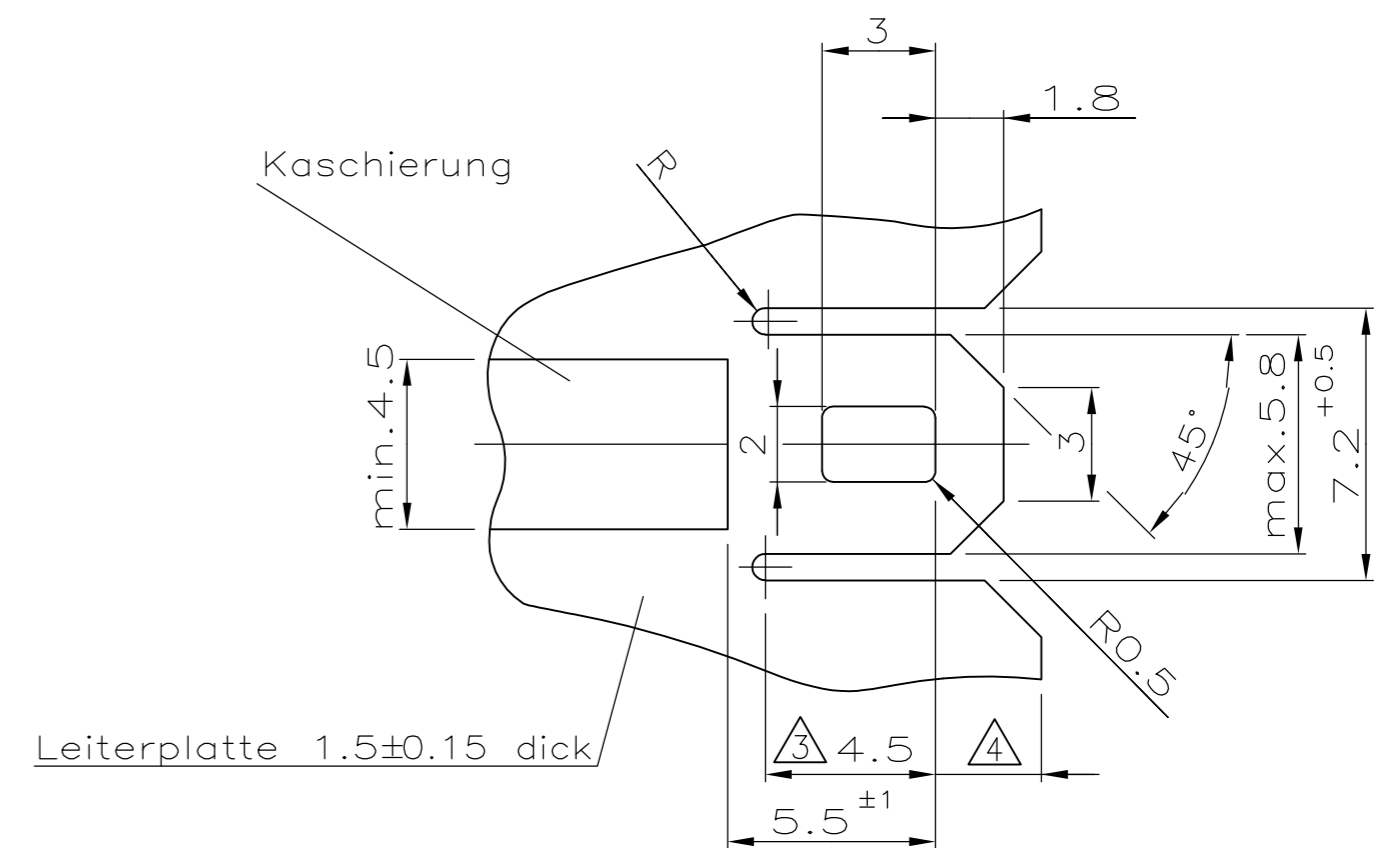
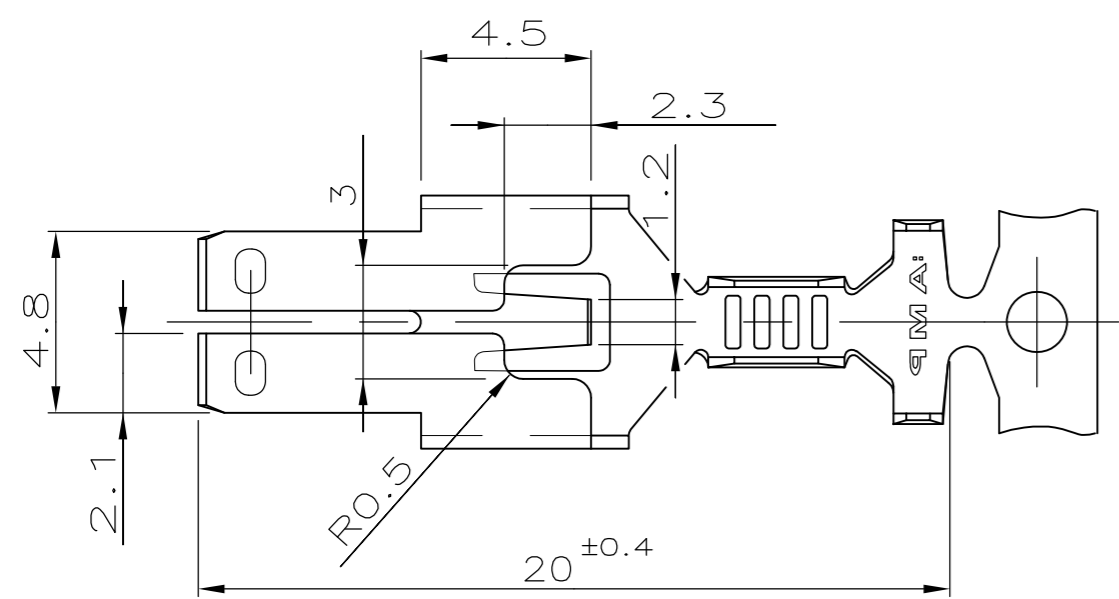


Abb.1

- 4 Ausführung nach Wahl des Herstellers
- 3 Maß für zusätzliche Anschlagkante
- 2 Kontakt kann bei Bedarf auf Anschlagmaschine abgewinkelt werden (Abb.1)
- 1 Kontakt geeignet für Litze 0.34–0.88 mm², Isolationsø 1.9–3.8 mm

| | | | | |
|--|-------------|---------------------------------|---|-----------------------|
| THIS DRAWING IS A CONTROLLED DOCUMENT. | | DWN S.Goerke 29 Sept.1988 | Tyco Electronics Corporation Harrisburg, PA 17105-3608 | |
| DIMENSIONS: mm | | CHK H.Plöber 30 Sept.1988 | NAME TIMER KONTAKT, PCB APPLICATION | |
| TOLERANCES UNLESS OTHERWISE SPECIFIED: 0 PLC ± - 1 PLC ± - 2 PLC ± 0.2 mm 3 PLC ± - 4 PLC ± - ANGLES ± - | | APVD - | PRODUCT SPEC - | APPLICATION SPEC - |
| MATERIAL CuZn30 | FINISH - | WEIGHT - | SIZE A2 | CAGE CODE 00779 |
| CUSTOMER DRAWING | | DRAWING NO C=928845 | RESTRICTED TO - | SCALE 5:1 |
| | | SHEET 1 of 1 | REV A | |